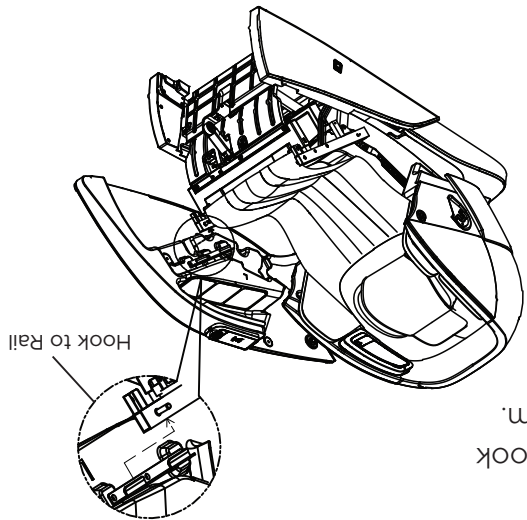


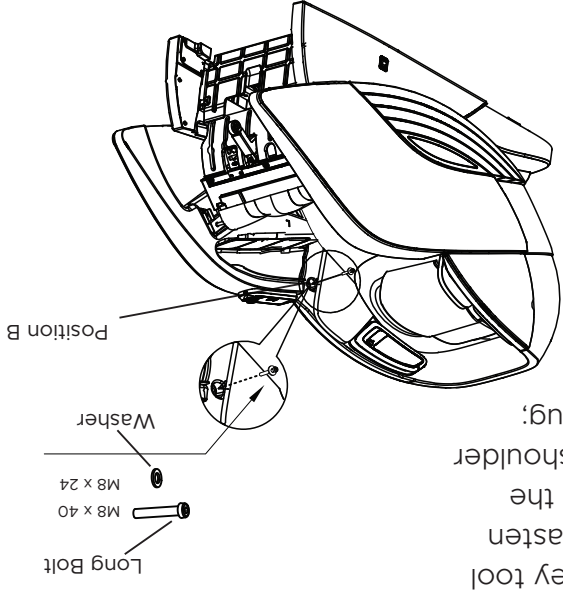
INFINITY

MESSAGE CHAIRS

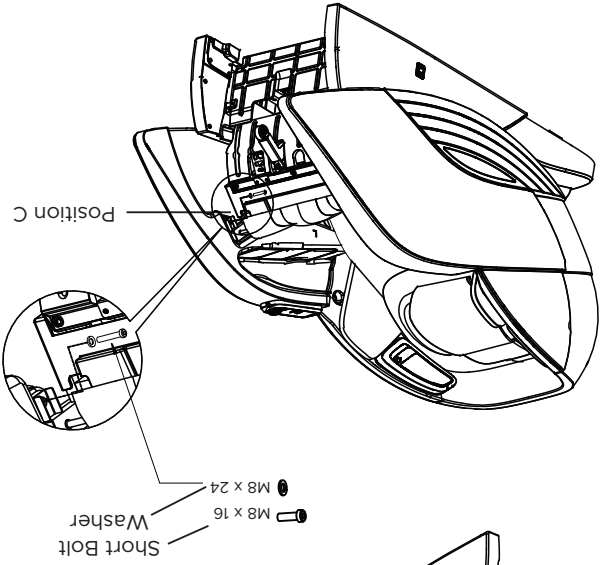
Step 5: Carefully lift each arm and hook on the rail to support the arm. Make sure the air hoses and electrical wires remain connected and not pinched.



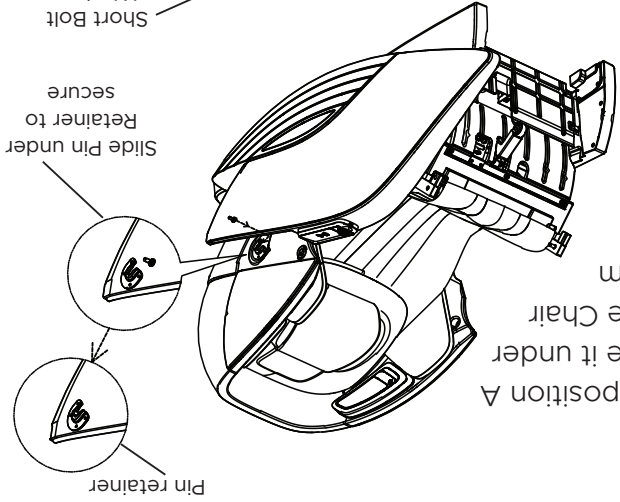
Step 7: Locate the long, silver M8 Bolts (2), Washers (2) and hex key tool from the Accessory Box. Fasten this bolt and washer under the Velcro flap just below the shoulder air bag (Position B) until snug; do not tighten yet.



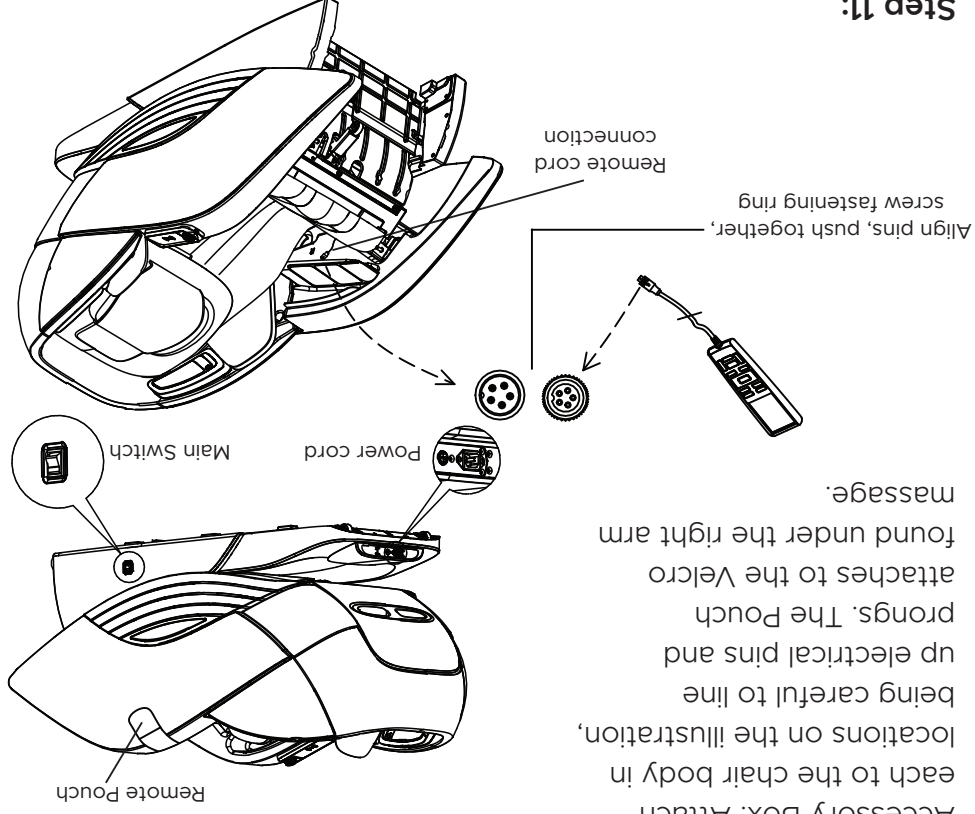
Step 8: Locate the shorter, black M8 Bolts (2) and Washers (2) from the Accessory Box. Fasten this bolt and washer in Position C. When secured, tighten both positions C and B on both arms.



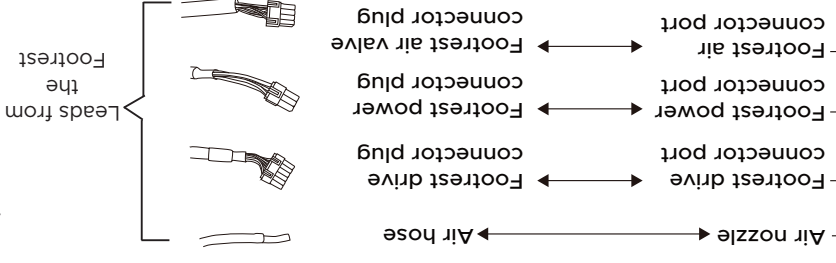
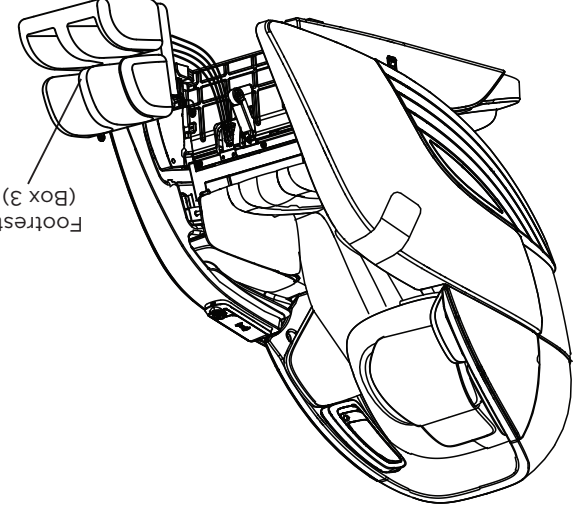
Step 6: Next locate the Pin in position A on the Arm and secure it under the Pin Retainer on the Chair body in position A from step 3.



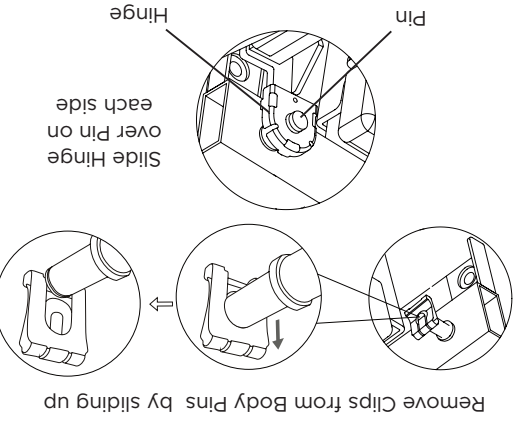
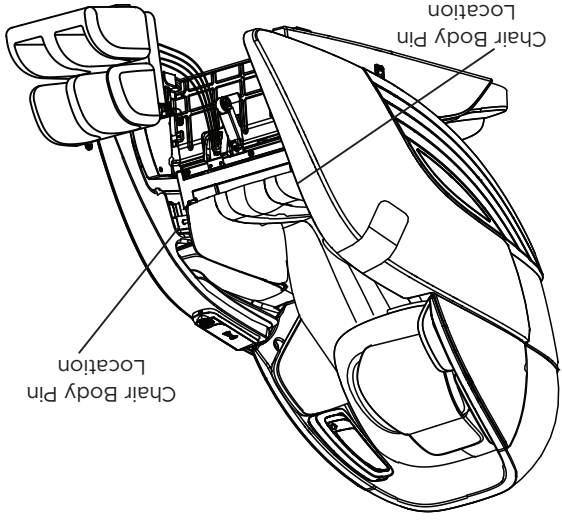
Step 9: Locate the Power Cord, Remote Control and Remote pouch from the Accessory Box. Attach each to the chair body in locations on the illustration, being careful to line up electrical pins and prongs. The Pouch attaches to the Velcro found under the right arm message.



Step 11: Unplug chair from electrical source. Locate Footrest and place on floor adjacent to chair body. Attach the 3 electrical connectors and air hose to air port.



Step 12: Remove the clips on the Chair Body Pins by sliding up. (If Clips are missing, there are spare clips in the Accessory Box) Lift the Footrest and position the hinge of on the other side hinge over the pin and center the Footrest. Fasten the clips over the pins to retain both sides of the footrest.



Dynasty 4D Massage Chair

Assembly Guide

INFINITY MESSAGE CHAIRS

www.infinitymassagechairs.com/assembly-tutorials to watch an assembly video.

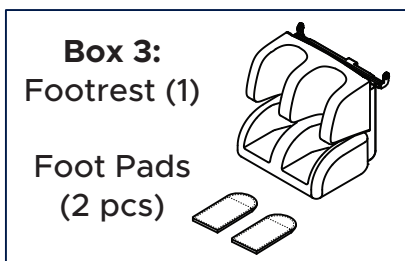
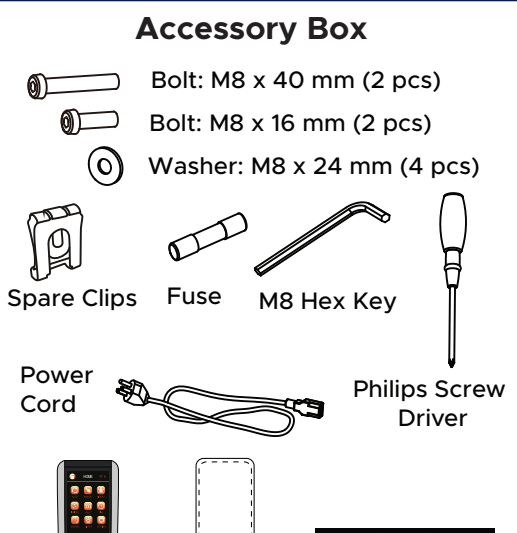
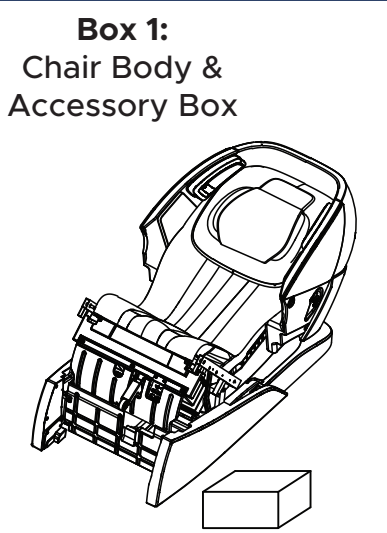


Or Scan Code

1 Step 1:

Carefully check box contents to the detail below, making sure all contents are accounted for.

If anything is missing, please contact INFINITY at 603-910-5000. Do not return to the place of purchase.



INFINITY

Go to www.infinitymassagechairs.com/warranty to register your chair and enable full support for your warranty.

You are done; time for a Massage!

Review chair for smooth operation. If things are not operating correctly, review all assembly steps. Call Infinity support at 1-603-910-5000 if you need live US-based support.

If you wish to use an APP to control the chair, download from the Apple or Google app store and follow pairing instruction found within the APP.



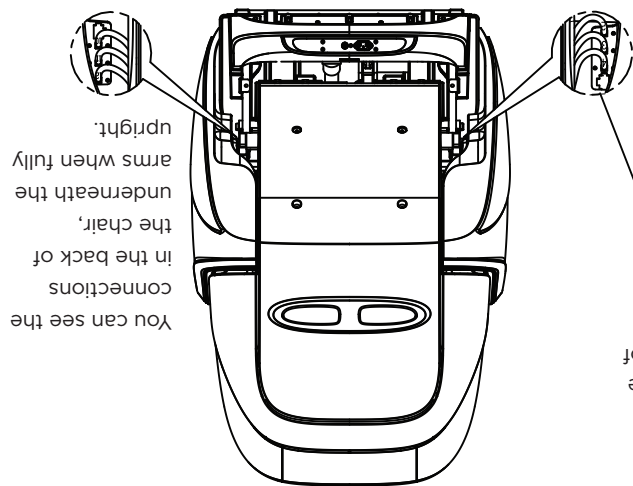
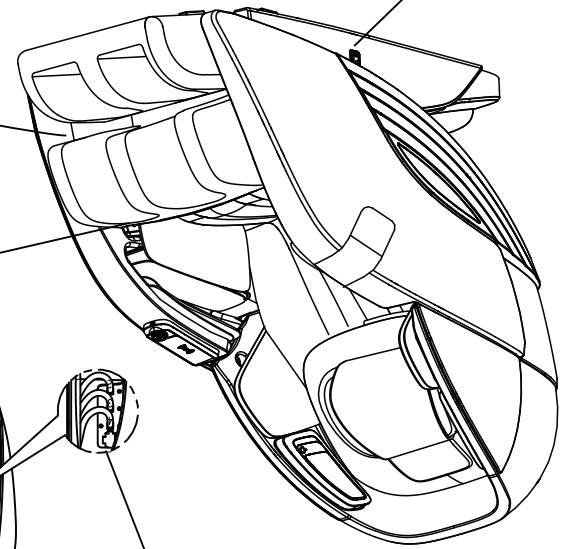
Power on the AUTO program to remote and select

Turn on the Main power switch.

Remove the foot pads to increase foot roller intensity, if desired.

Ensure the Footrest assembly swings freely up and down, electrical connections are firmly attached and air hose is secure.

Zipper the closure between the Footrest and Chair Body



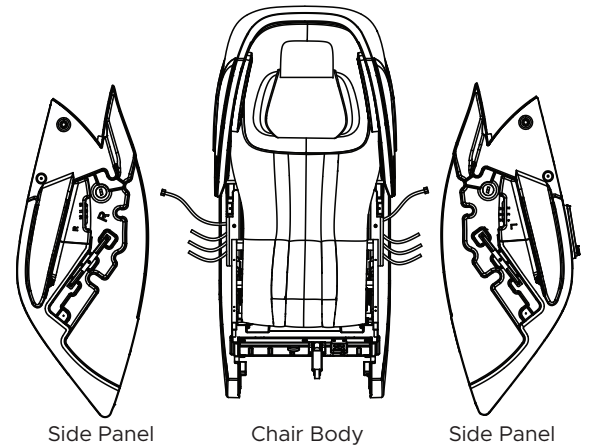
You can see the connections in the back of the chair, underneath the arms when fully upright.

Double check that all air hoses are still firmly connected in the back of the chair under the armrests. Plug the chair into a grounded 110V electrical outlet

Final Check:

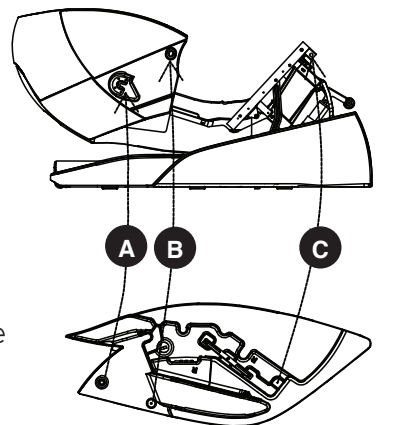
2 Step 2:

Place the chair body on a soft surface for assembly. Determine the left arm panel from the right and place next to the correct side of the chair.



3 Step 3:

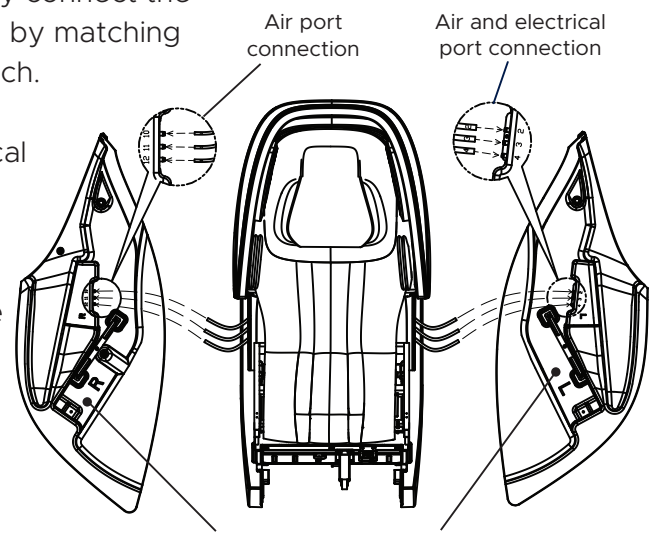
Note the 3 locations each arm attaches to the chair body; locations A, B and C.



4 Step 4:

Locate the Air Hoses off each side of chair body and note each hose has a number. Locate the corresponding number on the Air Ports of each Arm. Firmly connect the hoses to the ports by matching the numbers of each.

Locate the electrical wires off the chair body. One wire on the right side and a two wires on the left side. Firmly clip each into the corresponding electrical port.



Electrical port connections